

016-1939-00
Resistive Variable Spacing
Adapter for Differential Probes
Instructions

www.tektronix.com

071-1391-00



This kit is a new standard accessory for your differential probe and may not be listed in your Instruction Manual or Accessory Reorder Sheet. New kits can also be ordered separately.

Kit Contents

The Resistive Variable Spacing Adapter kit, Tektronix part number 016-1939-00, includes two adapters and these instructions.

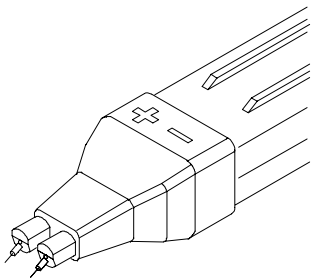


Figure 1: Variable spacing adapter

Overview

The Resistive Variable Spacing Adapter connects to the probe tips of P6330, P7330 and P7350 differential probes.

Use the adapter to probe any two adjacent leads or test points spaced between 0.020 and 0.180 inches apart. Adjust the pins by gently rotating them with tweezers.

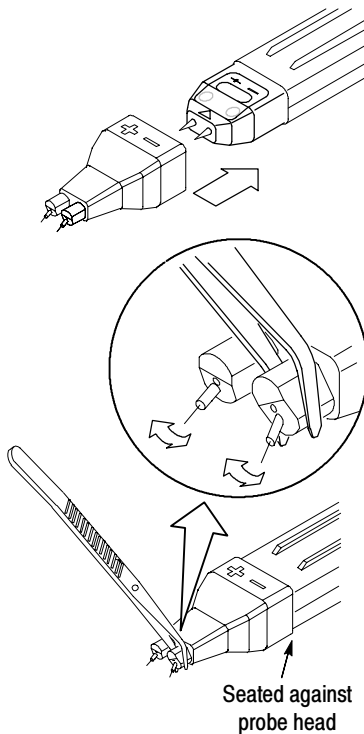
The pins on the adapter have 0.020 inch of compliance, allowing you to easily make simultaneous contact with different circuit features like soldered component pads and bare circuit board traces. Use care when applying pressure on the adapter pins to avoid breaking them.

The contacts inside the adapter are rated for 50-75 insertion cycles with the probe tip. Do not use the adapter after exceeding these limits to avoid unreliable operation.

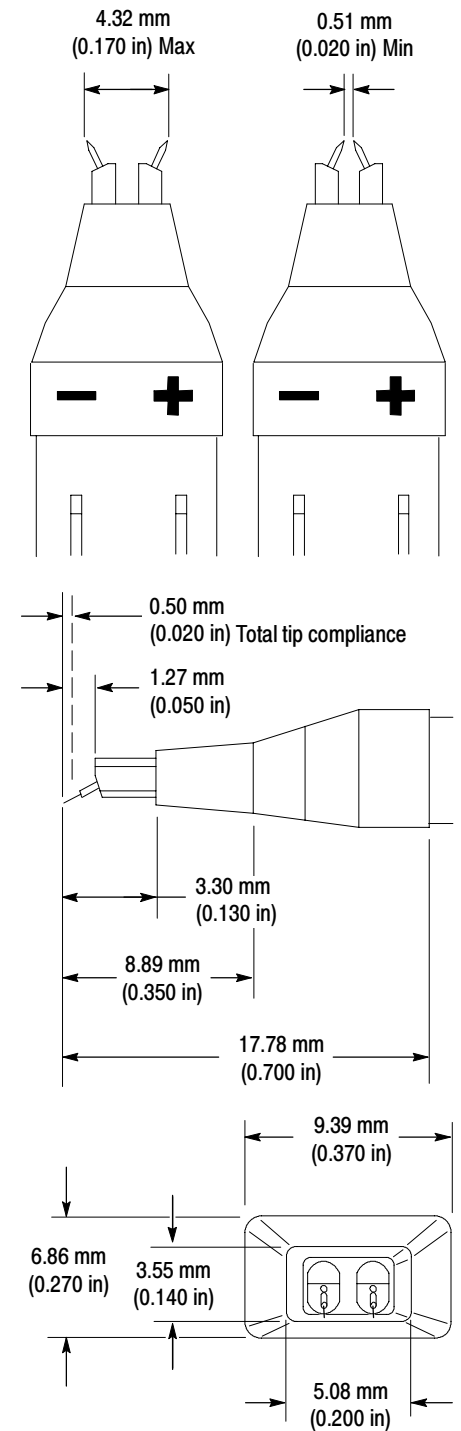
Using the Adapter

Refer to the illustrations as you follow these steps:

1. Gently push the adapter onto the probe tip until the adapter is seated against the probe head.
2. Adjust the pins by gently rotating them with tweezers.



Dimensions



Use Table 1 on the back of this sheet to help you select the configuration that optimizes response for bandwidth, rise time, or overshoot, based on your measurement needs.

Table 1: Typical electrical characteristics with a 110 ps (10-90%) input step

Probe connection method	P6330 and P7330 Probe				P7350 Probe			
	Bandwidth ¹	Probe rise time with 110 ps (10-90%) input step			Bandwidth ¹	Probe rise time with 110 ps (10-90%) input step		
		10-90 % ²	20-80 % ²	Overshoot		10-90 % ²	20-80 % ²	Overshoot
Probe only (reference)	≥3.5 GHz	140 ps	94 ps	5%	≥5 GHz	125 ps	86 ps	3%
Probe with adapter	>3.5 GHz	140 ps	95 ps	8%	>4.7 GHz	124 ps	86 ps	7%

¹ Measured using a network analyzer.

² Using a 110 ps-step source. With a faster source, warranted 10-90% rise times are ≤140 ps for the P6330/P7330, and ≤100 ps for the P7350.

WARRANTY SUMMARY

Tektronix warrants that the products that it manufactures and sells will be free from defects in materials and workmanship for a period of three (3) months from the date of shipment from an authorized Tektronix distributor. If a product or CRT proves defective within the respective period, Tektronix will provide repair or replacement as described in the complete warranty statement.

To arrange for service or obtain a copy of the complete warranty statement, please contact your nearest Tektronix sales and service office.

EXCEPT AS PROVIDED IN THIS SUMMARY OR THE APPLICABLE WARRANTY STATEMENT, TEKTRONIX MAKES NO WARRANTY OF ANY KIND, EXPRESS OR IMPLIED, INCLUDING WITHOUT LIMITATION THE IMPLIED WARRANTIES OF MERCHANTABILITY AND FITNESS FOR A PARTICULAR PURPOSE. IN NO EVENT SHALL TEKTRONIX BE LIABLE FOR INDIRECT, SPECIAL OR CONSEQUENTIAL DAMAGES.